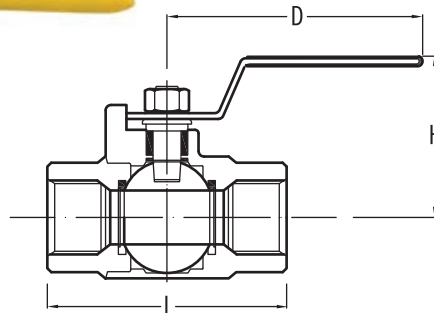


# VALVE SERIES

## BAV-1 Type Ball Valve (Full Bore) Class 1000-2 Pieces



### Dimension

| Valve Size | Inch | 1/4"  | 3/8"  | 1/2"  | 3/4"  | 1"    | 1 1/4" | 1 1/2" | 2"    |
|------------|------|-------|-------|-------|-------|-------|--------|--------|-------|
|            | mm   | 8     | 10    | 15    | 20    | 25    | 32     | 40     | 50    |
| Bore Size  |      | 9.0   | 12.7  | 15.0  | 20.7  | 25.4  | 32.0   | 38.2   | 50.8  |
| L          |      | 58.0  | 58.0  | 60.0  | 68.0  | 85.0  | 98.0   | 112.0  | 126.0 |
| H          |      | 49.0  | 49.0  | 49.0  | 54.0  | 61.0  | 67.0   | 84.0   | 92.0  |
| D          |      | 112.0 | 112.0 | 112.0 | 122.0 | 132.0 | 132.0  | 158.0  | 158.0 |
| Weight/Kgs |      | 0.25  | 0.25  | 0.30  | 0.45  | 0.80  | 1.15   | 1.70   | 2.75  |

unit=mm

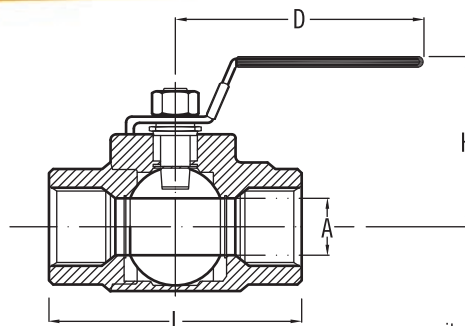
### Test Pressure

|      |                        |
|------|------------------------|
| Body | 1200 psi (Hydrostatic) |
| Seat | 150 psi (Air)          |

### Part Material

|              |                |
|--------------|----------------|
| Body         | CF8M or SUS316 |
| Body Cap     | CF8M or SUS316 |
| Ball         | CF8M or SUS316 |
| Retainer     | CF8M or SUS316 |
| Stem         | SUS316         |
| Seat         | PTFE+15% GF    |
| Seal         | PTFE           |
| Thrust       | PTFE           |
| Stem Packing | PTFE           |
| Stem Gland   | SUS304         |
| Stem Nut     | SUS304         |
| Handle       | SUS304         |

## BAV-2 Type Ball Valve (Standard Port) Class 2000/1500-2 Pieces



1/4"~1" Class 2000  
1/4"~2" Class 1500

### Dimension

| Valve Size | Inch | 1/4" | 3/8" | 1/2" | 3/4" | 1"   | 1 1/4" | 1 1/2" | 2"   |
|------------|------|------|------|------|------|------|--------|--------|------|
|            | mm   | 8    | 10   | 15   | 20   | 25   | 32     | 40     | 50   |
| A          |      | 11   | 13   | 13   | 17   | 22   | 25     | 32     | 38   |
| L          |      | 54   | 54   | 57   | 76   | 86   | 102    | 111    | 137  |
| H          |      | 44   | 44   | 44   | 52   | 56   | 67     | 71     | 76   |
| D          |      | 97   | 97   | 97   | 103  | 103  | 141    | 141    | 141  |
| Weight/Kgs |      | 0.30 | 0.30 | 0.30 | 0.55 | 0.55 | 1.35   | 1.65   | 2.50 |

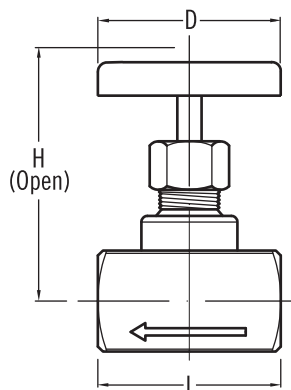
unit=mm

### Part Material

| Part          | Material                |              |
|---------------|-------------------------|--------------|
|               | Stainless Steel         | Carbon Steel |
| Handle Gland  | Vinyl Plastic           |              |
| Handle        | SUS304                  | C.S. Plated  |
| Stem          | SUS316                  | C.S. Plated  |
| Handle        | SUS304                  |              |
| Gland         | SUS316                  | C.S. Plated  |
| Packing       | Glass Filled TFE        |              |
| Thrust Washer | Glass Filled TFE        |              |
| Seat          | Carbon Fibre Keinf PTFE | Glass Fibre  |
| Ball          | SUS316                  | C.S. Plated  |
| Cap           | SUS316                  | WCB          |
| Gasket        | TFE                     | TFE          |
| Body          | SUS316                  | WCB          |

## NV-1 Type Needle Valve Class 6000

End Type: BSPT, ISO-228, NPT Thread  
Pressure: 6000 psi (PN400)  
Temperature: -60°F to 450°F  
Size: 1/4" Thru 1"



### Part Material

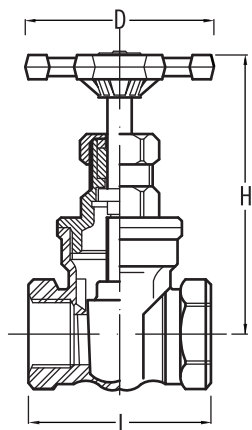
|              |                  |
|--------------|------------------|
| Body         | SUS316 or CF8M   |
| Stem         | SUS316           |
| Stem Packing | SUS304           |
| Packing      | Teflon           |
| Gland Washer | SUS304           |
| Gland Nut    | SUS304 or SUS316 |
| Handle       | SUS304           |
| Bolts        | SUS304           |

### Dimension

| Valve Size | Inch | 1/4" | 3/8" | 1/2" | 3/4" | 1"   |
|------------|------|------|------|------|------|------|
|            | mm   | 8    | 10   | 15   | 20   | 25   |
| L          |      | 48   | 52   | 56   | 62   | 74   |
| H          |      | 80   | 82   | 90   | 98   | 105  |
| D          |      | 56   | 56   | 56   | 66   | 66   |
| Weight/Kgs |      | 0.37 | 0.4  | 0.53 | 0.75 | 1.05 |

unit=mm

## GAV-1 Type Gate Valve Class 600



\* Investment casting, ASTM-A351, CF8M, Class 600, inside screw and screwed bonnet wedge disc. Integral seat, Nonrising stem, and Handwheel.

### Part Material

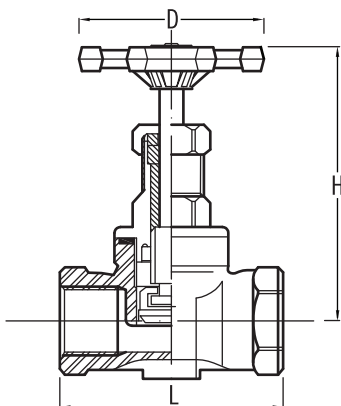
|             |               |
|-------------|---------------|
| Body        | CF8M          |
| Bonnet      | CF8M          |
| Disc        | CF8M          |
| Stem        | SUS316        |
| Gasket      | Teflon        |
| Snap Ring   | SUS316        |
| Washer      | SUS316        |
| Packing     | Teflon        |
| Cap Nut     | CF8M          |
| Gland       | SUS304        |
| Handle      | ZDC2 or ADC12 |
| Spin Washer | SUS304        |
| Stem Nut    | SUS304        |

### Dimension

| Valve Size | Inch | 1/2"  | 3/4"  | 1"    | 1 1/4" | 1 1/2" | 2"    | 2 1/2" | 3"    |
|------------|------|-------|-------|-------|--------|--------|-------|--------|-------|
|            | mm   | 15    | 20    | 25    | 32     | 40     | 50    | 65     | 75    |
| L          |      | 57.0  | 61.0  | 69.0  | 78.5   | 81.5   | 94.5  | 116.0  | 131.0 |
| H          |      | 100.0 | 100.0 | 123.0 | 135.0  | 150.0  | 170.0 | 260.0  | 295.0 |
| D          |      | 62.0  | 62.0  | 75.0  | 75.0   | 95.0   | 95.0  | 120.0  | 120.0 |
| Weight/Kgs |      | 0.40  | 0.50  | 0.75  | 1.10   | 1.45   | 2.10  | 4.6    | 7.0   |

unit=mm

## GBV-1 Type Globe Valve Class 600



\* Investment casting, ASTM-A351, CF8M, Class 600, Screwed bonnet, Beveled disc, Integral seat, Rising-stem, and Handwheel.

### Part Material

|             |               |
|-------------|---------------|
| Body        | CF8M          |
| Bonnet      | CF8M          |
| Stem        | SUS316        |
| Gasket      | Teflon        |
| Disc        | CF8M          |
| Packing     | Teflon        |
| Gland       | SUS316        |
| Cap Nut     | CF8M          |
| Handle      | ZDC2 or ADC12 |
| Spin Washer | SUS304        |
| Stem Nut    | SUS304        |

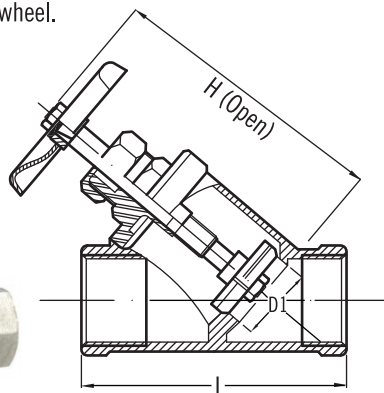
### Dimension

| Valve Size | Inch | 1/2"  | 3/4"  | 1"    | 1 1/4" | 1 1/2" | 2"    |
|------------|------|-------|-------|-------|--------|--------|-------|
|            | mm   | 15    | 20    | 25    | 32     | 40     | 50    |
| L          |      | 63.0  | 70.0  | 77.0  | 87.0   | 100.0  | 110.0 |
| H          |      | 106.0 | 106.0 | 116.0 | 122.0  | 144.0  | 145.0 |
| D          |      | 62.0  | 62.0  | 75.0  | 75.0   | 95.0   | 95.0  |
| Weight/Kgs |      | 0.40  | 0.50  | 0.70  | 0.90   | 1.35   | 1.65  |

unit=mm

## YGBV-1 Type Y-Globe Valve Class 600

\* Investment casting ASTM-A351, CF8M, Class 600, Screwed bonnet, Beveled disc, Integral seat, Rising-stem, and Handwheel.



### Part Material

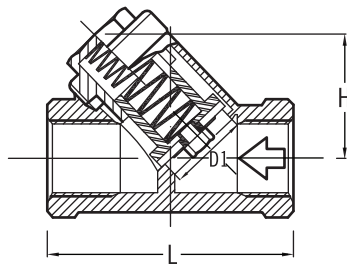
|              |                  |
|--------------|------------------|
| Body         | SUS316 or SUS304 |
| Bonnet       | SUS316 or SUS304 |
| Net          | SUS304           |
| Stem Washer  | SUS316 or SUS304 |
| Pin          | SUS316 or SUS304 |
| Thrust       | SUS316 or SUS304 |
| Stem         | SUS316 or SUS304 |
| Disc         | Teflon           |
| Gasket       | Teflon           |
| Packing      | Teflon           |
| Gland        | SUS316 or SUS304 |
| Thrust Gland | SUS316 or SUS304 |
| Bonnet Ring  | SUS316 or SUS304 |
| Nameplate    | SUS304           |
| Handle Nut   | SUS304           |
| Handwheel    | Mall. Iron       |

### Dimension

| Valve Size | Inch | 1/4" | 3/8" | 1/2"  | 3/4"  | 1"    | 1 1/4" | 1 1/2" | 2"    |
|------------|------|------|------|-------|-------|-------|--------|--------|-------|
|            | mm   | 8    | 10   | 15    | 20    | 25    | 32     | 40     | 50    |
| L          |      | 57.0 | 57.0 | 61.0  | 70.0  | 86.0  | 100.0  | 111.0  | 138.0 |
| H          |      | 90.0 | 90.0 | 100.0 | 125.0 | 130.0 | 165.0  | 165.0  | 210.0 |
| D1         |      | 10.0 | 10.0 | 15.0  | 20.0  | 25.0  | 32.0   | 32.0   | 50.0  |
| Weight/Kgs |      | 0.30 | 0.30 | 0.40  | 0.50  | 0.70  | 0.90   | 1.35   | 1.65  |

unit=mm

YCV-1 Type Y-Spring Check Valve Class 600



Dimension

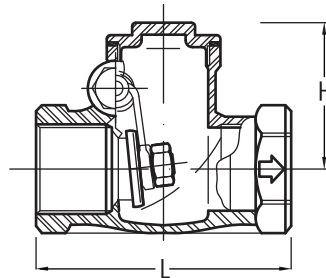
| Valve Size | Inch | 1/4" | 3/8" | 1/2" | 3/4" | 1"   | 1 1/4" | 1 1/2" | 2"    |
|------------|------|------|------|------|------|------|--------|--------|-------|
|            | mm   | 8    | 10   | 15   | 20   | 25   | 32     | 40     | 50    |
| L          |      | 57.0 | 57.0 | 61.0 | 70.0 | 86.0 | 100.0  | 111.0  | 138.0 |
| H          |      | 30.0 | 30.0 | 34.0 | 39.0 | 42.0 | 50.0   | 57.0   | 70.0  |
| D1         |      | 10.0 | 10.0 | 15.0 | 20.0 | 25.0 | 32.0   | 40.0   | 50.0  |
| Weight/Kgs |      | 0.25 | 0.25 | 0.25 | 0.40 | 0.60 | 0.85   | 1.10   | 1.60  |

unit=mm

Part Material

|               |                  |
|---------------|------------------|
| Body          | SUS316 or SUS304 |
| Cap           | SUS316 or SUS304 |
| Disc Bonnet   | SUS316 or SUS304 |
| Spring        | SUP 3            |
| Thrust Washer | SUS316 or SUS304 |
| Bolt          | SUS304           |
| Disc          | Teflon           |
| Gasket        | Teflon           |

SCV-1 Type Swing Check Valve Class 600



\* Investment casting ASTM-A351 CF8M, Screwed Cap, Swing Type Disc, Integral Seat.

Dimension

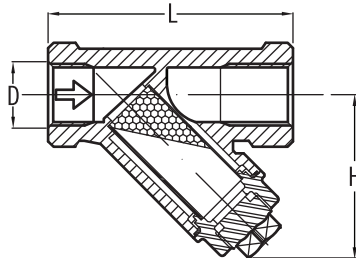
| Valve Size | Inch | 1/2" | 3/4" | 1"   | 1 1/4" | 1 1/2" | 2"    | 2 1/2" | 3"    |
|------------|------|------|------|------|--------|--------|-------|--------|-------|
|            | mm   | 15   | 20   | 25   | 32     | 40     | 50    | 65     | 75    |
| L          |      | 60.0 | 78.0 | 84.0 | 94.0   | 104.0  | 122.0 | 153.0  | 175.0 |
| H          |      | 41.5 | 46.0 | 49.0 | 53.5   | 58.5   | 67.0  | 105.0  | 125.0 |
| Weight/Kgs |      | 0.29 | 0.53 | 0.69 | 0.85   | 1.20   | 1.80  | 3.5    | 5.0   |

unit=mm

Part Material

|                |        |
|----------------|--------|
| Body           | CF8M   |
| Cap            | CF8M   |
| Disc           | CF8M   |
| Connecting Rod | CF8M   |
| Disc Nut       | SUS316 |
| Pin            | SUS304 |
| Bolt Washer    | Teflon |
| Gasket         | Teflon |
| Bolt           | SUS304 |

YST-1 Type Y-Strainer Valve Class 600



Dimension

| Valve Size | Inch | 1/4" | 3/8" | 1/2" | 3/4" | 1"   | 1 1/4" | 1 1/2" | 2"    |
|------------|------|------|------|------|------|------|--------|--------|-------|
|            | mm   | 8    | 10   | 15   | 20   | 25   | 32     | 40     | 50    |
| L          |      | 57.0 | 57.0 | 61.0 | 70.0 | 86.0 | 100.0  | 111.0  | 138.0 |
| H          |      | 32.0 | 32.0 | 37.0 | 41.0 | 47.0 | 54.0   | 62.0   | 76.0  |
| D          |      | 10.0 | 10.0 | 15.0 | 20.0 | 25.0 | 32.0   | 38.0   | 51.0  |
| Weight/Kgs |      | 0.25 | 0.25 | 0.28 | 0.40 | 0.60 | 0.90   | 1.15   | 1.65  |

unit=mm

Part Material

|             |                  |
|-------------|------------------|
| Body        | SUS316 or SUS304 |
| Screen      | SUS316 or SUS304 |
| Bottom Plug | SUS316 or SUS304 |
| Packing     | PTFE             |
| Gasket      | PTFE             |
| Plug        | SUS316 or SUS304 |