

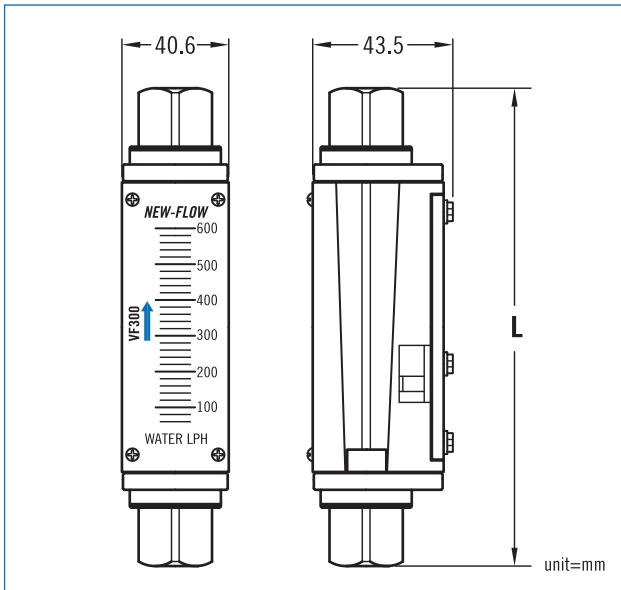
PLASTIC FLOW METER

VF300 with alarm switch type
without alarm switch type

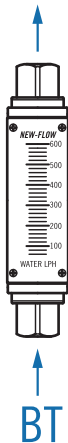
Technical Data

Service: Water, Air
Wetted parts material:
 Body: Polycarbonate (P.C); Polysulfone (PSU) available
 O-ring: Viton
 Float: magnet cover with PPS Plastic
 Connection: SS316
Connection size: 3/8", 1/2", 3/4"NPT female available
Mounting: Vertical position
Max. working pressure limit: 1.2 MPa (12 kg/cm²)
Max. test pressure: 2.0 MPa (20 kg/cm²) (water 25°C)
Max. working temperature limit: -10°C to 60°C (for PC body)
 -10°C to 80°C (for PSU body)
Accuracy: ±5% full scale
Alarm switch: One or Two setting points, form A N.O. type bistable reed switch
Switch rating: AC 125V 0.5A / DC 100V 10W / Max. DC 250V < 1mA
Weight: 0.3~0.4 kg
 (Contact setting point should be within 10% to 80% of FS)

Dimensions



Flow Direction Types



Ordering Information

VF300	Code	Flow Range
	A-1	Water (LPH- Litter per Hour) (1) 5~50 (2) 6~60 (3) 12~120 (4) 20~200 (5) 30~300 (6) 60~600
	A-2	Water (LPM- Litter per Minute) (6) 0.1~1 (7) 0.2~2 (8) 0.3~3 (9) 0.5~5 (10) 1~10
	B	Air (LPM- Normal Litter per Minute) (11) 3~30 (12) 6~60 (13) 12~120 (14) 18~180 (15) 40~400
	Code	Alarm Switch
	1R	One setting point
	2R	Two setting points
	0	Without alarm
	Code	Body Material
	PC	Polycarbonate
	PSU	Polysulfone
	Code	Connectoin Material
	1	SS316
	Code	Process Connection in Female
	A	3/8"NPT (L=150mm)
	B	1/2"NPT (L=150mm)
C	3/4"NPT (L=150mm)	
Code	Flow Direction	
BT	Bottom to Top	

VF300										Complete ordering code
-------	--	--	--	--	--	--	--	--	--	------------------------