

THREAD TYPE THERMOWELLS

Technical Data

Welded type: WST, WLT,

Drilled bar stock type: BST,BLT,BTT,BTLT,BPST,BPLT

Material: SS304, SS316, SS316L, Monel, Hastelloy C 276, Brass, Carbon Steel, Titanium (special material available upon request)

Process connection: 1/2" ~2" male available (special thread upon request)

Instrument connection: 1/2"NPT, 3/4" NPT Female available (special thread upon request)



Thread Wells Series

Model : WST(Welded Standard Thread Type)

PLUG WITH CHAIN (OPTIONAL)
 Y-yes N-no

OUR STANDARD:
 (1) O.D-10 , I.D-7mm
 (2) O.D-12 , I.D-9mm
 (3) O.D-14 , I.D-10mm
No custom request for this type!

Tube Welded Type

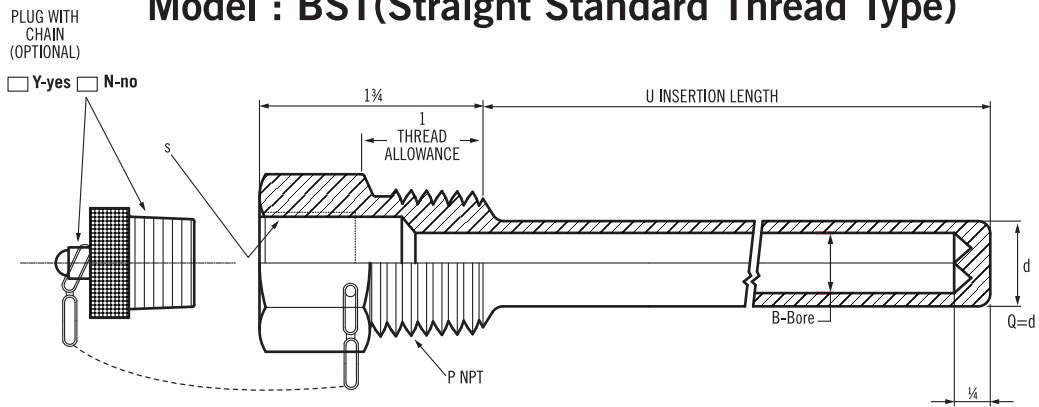
Model : WLT(Welded Lag Thread Type)

PLUG WITH CHAIN (OPTIONAL)
 Y-yes N-no

OUR STANDARD:
 (1) O.D-10 , I.D-7mm
 (2) O.D-12 , I.D-9mm
 (3) O.D-14 , I.D-10mm
No custom request for this type!

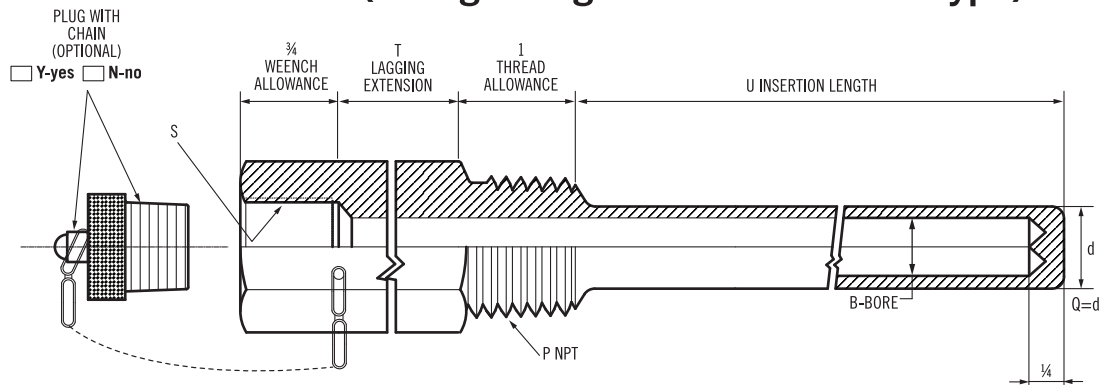
Tube Welded Type

Model : BST(Straight Standard Thread Type)



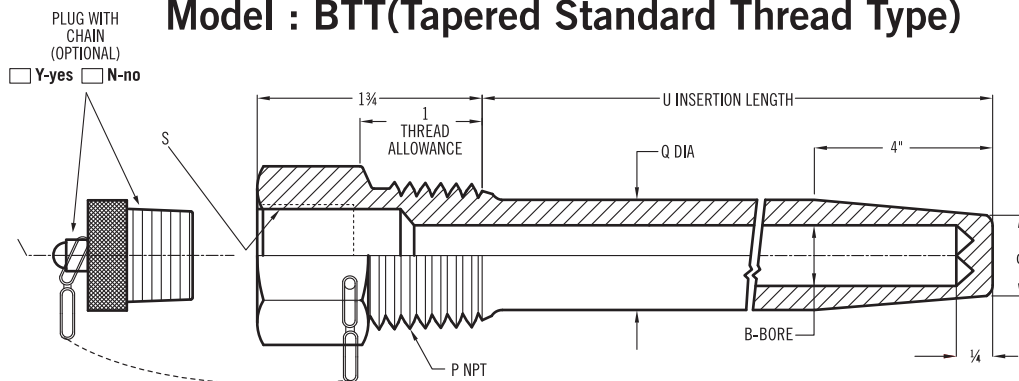
Bar Drilled Type

Model : BLT(Straight Lag Extension Thread Type)



Bar Drilled Type

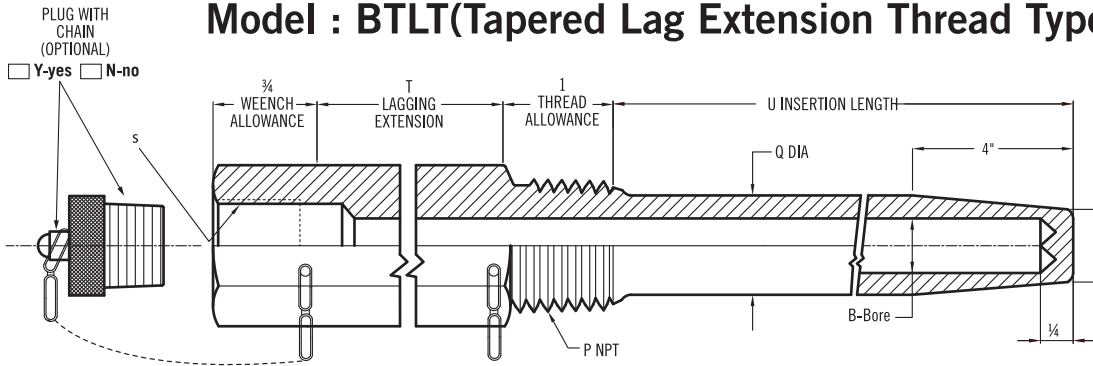
Model : BTT(Tapered Standard Thread Type)



Bar Drilled Type

Standard: Q x d
 (1) 19 x 15mm
 (2) 25 x 22mm
 (3) 22 x 19mm

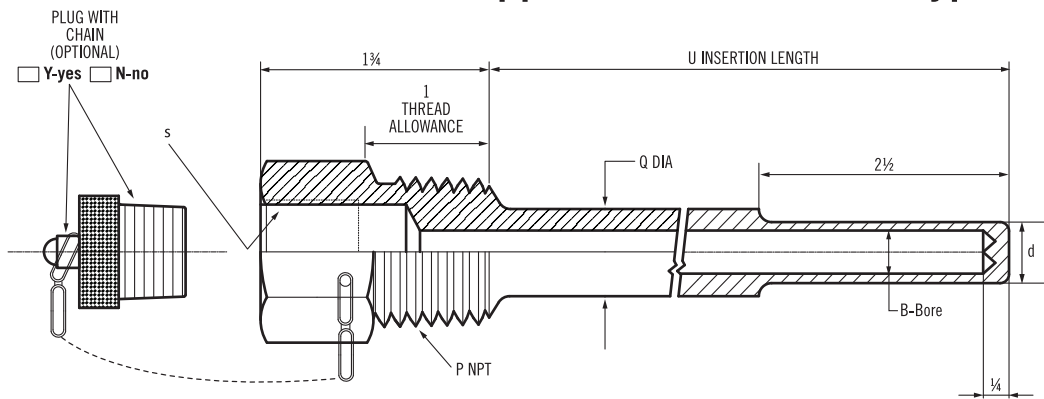
Model : BTLT(Tapered Lag Extension Thread Type)



Bar Drilled Type

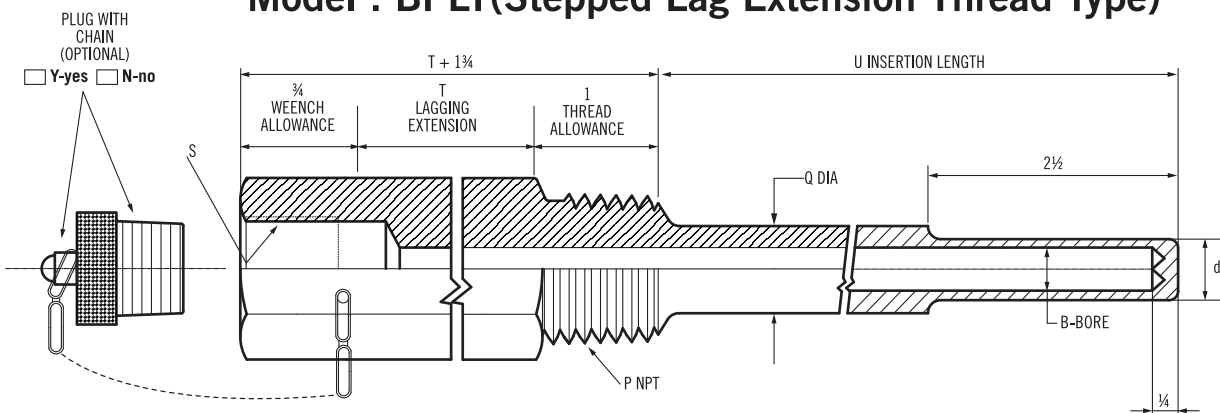
Standard: Q x d
 (1) 19 x 15mm
 (2) 25 x 22mm
 (3) 22 x 19mm

Model : BPST(Stepped Standard Thread Type)



Bar Drilled Type

Model : BPLT(Stepped Lag Extension Thread Type)



Bar Drilled Type

