

MASS FLOW METERS

THF SERIES *With or Without LCD Display*

- ±1% Accuracy
- Linear Output
- Thermal Technology
- For Using in Non Corrosive Gas
- For Flow Rates up to 500 SLM
- Power Supply Included

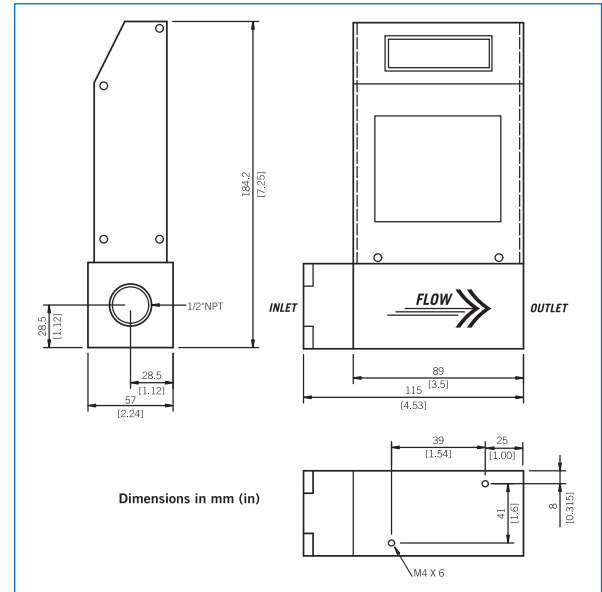
The NEW-FLOW Thermal Mass Flow Meters provide high performance. thermal Technology offers advantages in accuracy, sensitivity and turn quality components and the latest technology are combined to provide reliable, compact meters and controllers. The THF Series comes with or without an LCD display, and all models come with linear 0-5 VDC and 4-20 mA output. The THF Series measures the mass flow rate of gases in 4 ranges from 0-250 SLM to 0-500 SLM as range table.

Technical Data

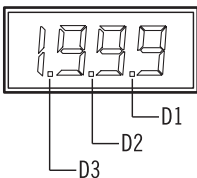
- Wetted Material:** Standard flowbody—SS316; option available.
O-ring—Viton
- Output Signal:** 0-5 VDC Linear min. load 1000Ω or 4-20 mA Linear, loop resistance 500Ω
- Input Power:** 24 VDC standard; optional power supply 15 VDC 115 VAC, 220 VAC @500mA
- Accuracy:** ±1% FS (including linearity)
- Turn Down Ratio:** 100:1
- Repeatability:** ±0.15% FS or better
- Electric Connection:** 9 Pin Sub "D"
- Process Connection:** ½" NPT female
- Range:** 0-250 SLM to 0-500 SLM
- Minimum Pressure:** 100" H₂O
- Max Pressure:** 500 psig
- Temperature Range:** 0~50°C
- Response Time:** 1 Second
- Temp. Coefficient:** 0.05% Full Scale per 1°C or better
- Pressure Coefficient:** 0.01% Full Scale per PSIG or better
- Weight:** app. 2.45 kg with power supply



Dimensions



Display Digital Decimal Point Function



Range	Decimal Point
0 ~ 1.999	D3
2.00 ~ 19.99	D2
20.0 ~ 199.9	D1
200 ~ 1999	None

Range Table

Code	SLM
00	0-250
01	0-300
02	0-400
03	0~500
04	*Custom Flow Rate

Note. *Please notice that the max. flow range is 500 SLM.

Ordering Information

THF	Code	Flow Range	Code	Flow Range
	00	0-250 SLM	02	0-400 SLM
	01	0-300 SLM	03	0-500 SLM
	04	*Custom size (please directly fill in the requested range.)		
	Code	Wetted Material		
		(A) SS316 (O) Option		
	Code	Process Connection		
	1	½" NPT (F)		
	Code	Display		
	W	With display	0	Without display
	Code	Output Signal		
		(1) 0-5VDC (2) 4-20 mA		
	Code	Input Power		
		(1) 24VDC (2) 15VDC		
	Code	Power Supply for 24vdc		
		(1) with (2) without		
THF				