

FILLED TYPE THERMOMETERS W/MICRO SWITCH

SME4/SAE4(Ø100) & SME6/SAE6(Ø150)

Technical Data

Remot Mounting Type

Material of Case & Cover: 316 Stainless Steel, option available

Material of Sensor Bulb Capillary Tube, Flex Tube:

SS304, SS316, and others available

Lens: Glass , safety glass available

Range Limit: -200 ~ +600°C, option available

Housing Enclosure: IP65, liquid filled available

Accuracy: Gauge Indication: ±1% F.S.; Switch Acting Differential: ±1.6~3% F.S

Capillary Tube Length Limited: Liquid filled type: 10M;

Gas filled type: max. 50M; option available

Stem Dimensions: ø6, 8, 10, 12mm available

Process Connection: ½"NPT standard; other available

Over Range Protectino: 130% F.S.

Switch Form: One setting point SPDT x 1 or Two setting point SPDT x 2

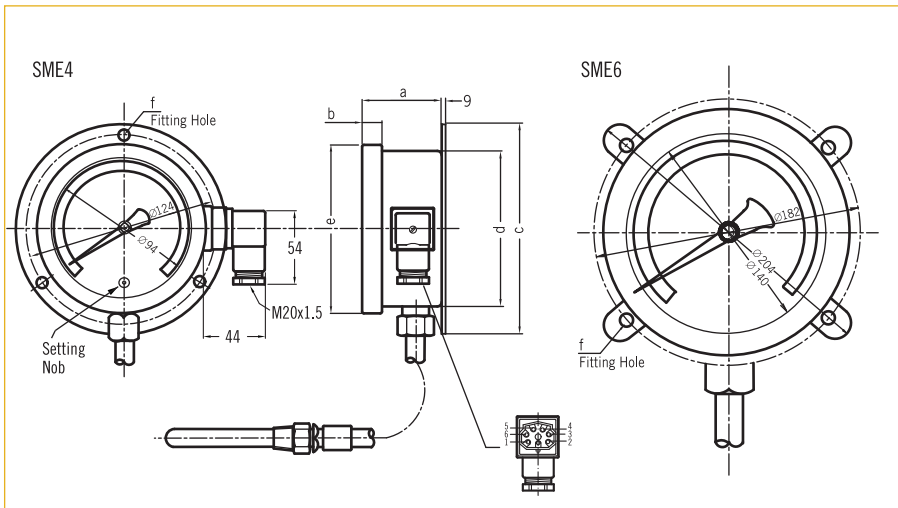
Set Point: Full scale range available

Switch Data:

	AC Load	DC Load
Nominal Operating Voltage	250 VAC max.	28 VDC max.
Current	5A max.	5A max. (ohmic load) 3A max. (inductive load)
Contact Material	Pure silver 999.9	Pure silver 999.9
Ambient Temperature	-20°C ~ +70°C	-20°C ~ +70°C

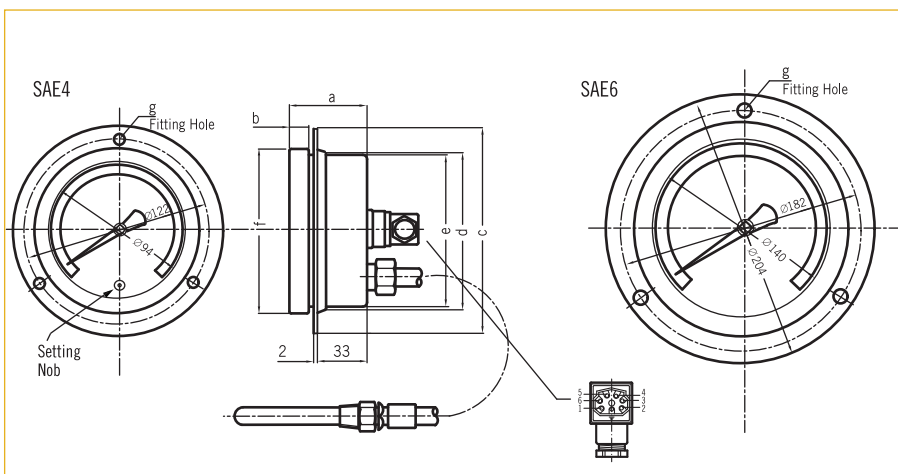


Dimensions



Symbol	a	b	c	d	e	f
Model SME4	51	13	138	103	113	3-ø5.5
SME6	52	15	204	153	165	4-ø8

*Sensor bulb and connection consult to factory.
*Remote capillary length:
Maximum length: 50M

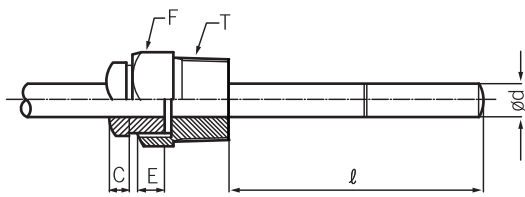


Symbol	a	b	c	d	e	f	g
Model SAE4	54	13	134	107	102	113	3-ø5.5
SAE6	54	15	200	153	153	165	3-ø7

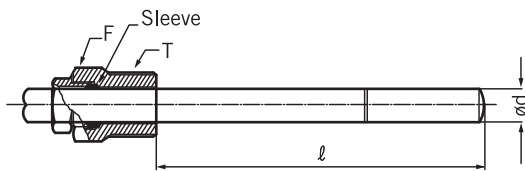
*Sensor bulb and connection consult to factory.
*Remote capillary length:
Maximum length: 50M

unit=mm

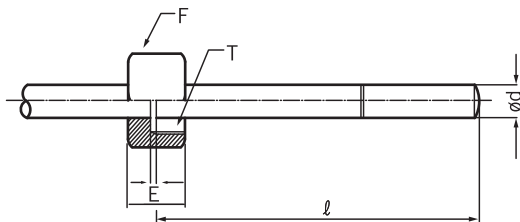
Connection Type



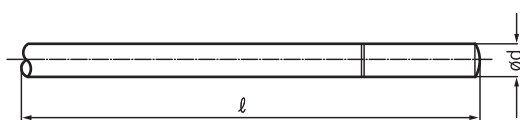
(A) Rotary Thread Type



(B) Slide Thread Type
(Length "l" changed available.)



(C) Female Thread Type
(Rotation Style)



(D) Non Thread Type

T: Process connection
E: Stop plate for (rotary & rotation style)
F: Hexagonal head
l: Sensor length
d: Sensor dimension

Table for Range and Insertion

LIQUID FILLED TYPE						
Standard Scale Range (°C)	Minor Division (°C)		Minimum Insertion Length (mm)			
			Outer Diameter of Stem			
	Ø100	Ø150	Ø6	Ø8	Ø10	Ø12
-30~+50	1	1	135	91	53	37
-30~+100	2	2	89	61	38	28
-10~+50	1	1	175	116	66	45
-10~+100	2	2	102	70	42	31
0~50	1	1	207	137	76	52
0~80	1	1	135	91	53	37
0~100	1	1	111	75	45	33
0~120	2	2	95	65	40	29
0~150	2	2	79	55	34	26
0~200	2	2	63	44	29	23
0~250	5	5	53	38	26	21
0~300	5	5	47	34	24	20
0~400	5	5	39	29	21	18

GAS FILLED TYPE		
Standard Scale Range (°C)	Minor Division (°C)	
	Ø100	Ø150
-200~+50	5	5
-200~+100	5	5
-200~+150	5	5
-200~+200	5	5
-100~+100	2	2
-100~+150	5	5
-100~+200	5	5
-50~+300	5	5
-50~+400	5	5
-50~+500	10	10
-50~+600	10	10
0~400	5	5
0~500	10	10
0~600	10	10

Minimum Stem Length		
mm	Ød	
Minimum length	Ø10	Ø12
	270	200

OPTION.

1. Please note the minimum insertion length is not including the thread.
2. Special Range / Scale / Stem Diameter / Length are available upon request.

