

PLASTIC FLOW METER – Spring Type

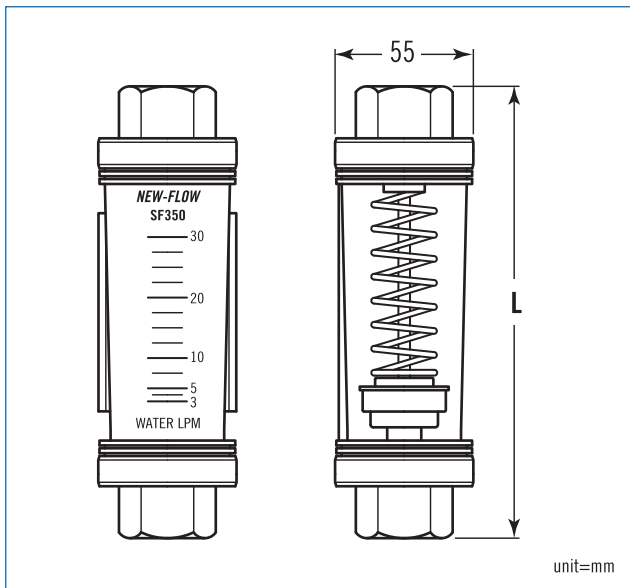
SF350 with alarm switch type
without alarm switch type

Technical Data

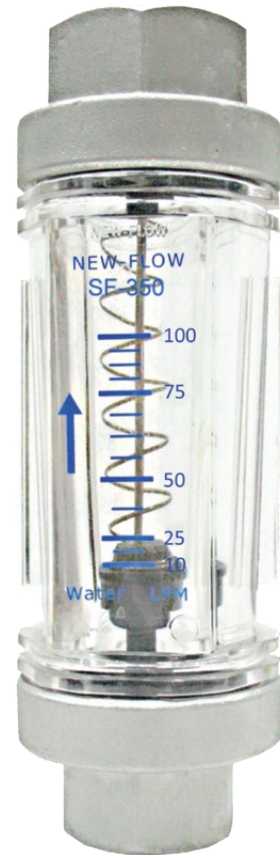
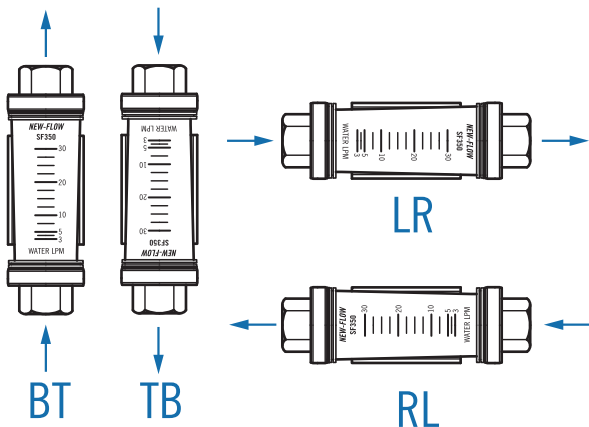
- Service:** Liquid, Oil
- Wetted parts material:**
- Body: Polycarbonate (P.C); Polysulfone (PSU) available
- O-ring: Viton
- Float: PPS plastic
- Connection: SS316
- Spring: SS316
- Connection size:** 3/4", 1"NPT female available
- Mounting:** Vertical and Horizontal available, various flow directions
- Max. working pressure limit:** 1.2 MPa (12 kg/cm²)
- Max. test pressure:** 2.0 MPa (20 kg/cm²) (water 25°C)
- Max. working temperature limit:** -10°C to 60°C (for PC body)
-10°C to 80°C (for PSU body)

- Accuracy:** ±5% full scale
- Alarm switch:** One setting point, form A N.O. type bistable reed switch
- Switch rating:** AC 125V 0.5A / DC 100V 10W / Max. DC 250V < 1mA
- Weight:** 0.5~0.6 kg
- (Contact setting point should be within 10% to 80% of FS)

Dimensions



Flow Direction Types



CE

Ordering Information

SF350	Code	Flow Range (LPM- Litter per Minute)
	A	7~70 LPM
	B	10~100 LPM
	C	15~150 LPM
	Code	Alarm Switch
	1R	One setting point
	0	Without alarm
	Code	Body Material
	PC	Polycarbonate
	PSU	Polysulfone
	Code	Connection Material
	1	SS316
	Code	Process Connection in Female
	A	3/4"NPT (L=170mm)
	B	1"NPT (L=170mm)
	Code	Flow Direction
	BT	Bottom to Top
	TB	Top to Bottom
	RL	Right to Left
	LR	Left to Right

SF350								Complete ordering code
-------	--	--	--	--	--	--	--	------------------------