

PSA2100W

PRESSURE SWITCH NEMA 4, 4X, IP65

PSA2100W

Proof Pressure to 1000psi
Adjustable Ranges: 2~100psi
Temperature: -20 to 205°C
Dead Band: Adjustable

The New-Flow PSA2100W, a water proof pressure switch, is designed to be used in control systems. PSA2100W has high set point repeatability and narrow dead band features. There are a variety of range selections available upon request. Easily adjusted to the set point, no special tools needed!

Technical Data

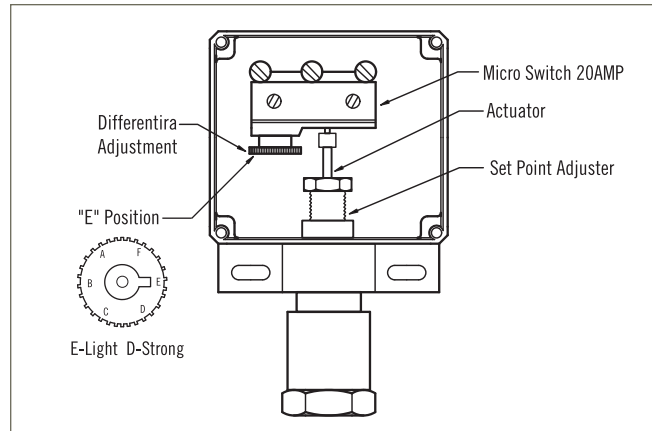
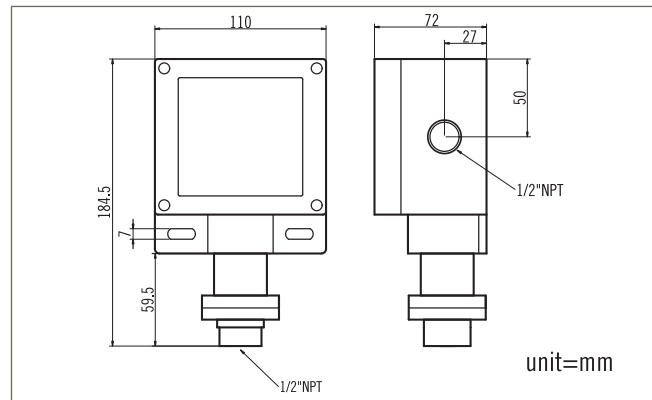
Switch Data: 20Amp @ 125, 250 or 480 VAC
Housing: die cast aluminum alloy with paint
Conduit Connection: 3/4" or 1/2" NPT Female
Pressure Element: welded type diaphragm
Process Materials: wetted parts are all in SS316
Process Connection: 1/2" or 1/4" NPT Female

Range Selection Table

Code	Pressure Range	Adjustable Dead Band at "E" Position	Maximum Pressure Proof
04R	2~12psi	1.2~3	1000psi
10R	2~16psi	1.6~4	1000psi
20R	2~20psi	2~5	1000psi
30R	3~28psi	2.8~7	1000psi
40R	7~100psi	9.9~28.4	1000psi



Dimensions



Ordering Information

PSA2100W	Code	Range									
		04R	2~12psi	10R	2~16psi	20R	2~20psi	30R	3~28psi	40R	7~100psi
		Code	Wetted Material								
		A	SS316								
		Code	Process Connection								
			(1) 1/2" NPT Female (2) 1/4" NPT Female								
		Code	Conduit Connection								
			(E) 3/4" NPT Female (F) 1/2" NPT Female, standard								
		Code	Switch Form								
		1	One SPDT								
PSA2100W											Complete Ordering Code

WWW.NEW-FLOW.COM • TEL: 886-7-8135500 • FAX: 886-7-8225588 • Email: info@new-flow.com