

SANITARY BALL VALVES – Without Mounting Pad

N-3H-B – BUTT WELD ENDS N-3H-C – T-CLAMP

Technical Data

Full Port, 3 piece type- Inside port finish Ra≤0.4

Material: Wetted parts ASTM A351 CF8M / 316

Connection Size: ½”(15mm), ¾”(20mm), 1”(25mm), 1½”(40mm),
2”(50mm), 2½”(65mm), 3”(80mm), 4”(100mm)

Connection Type: Clamp & Tube butt weld ends available

Locking Device: Valve operated locking in open or closed position

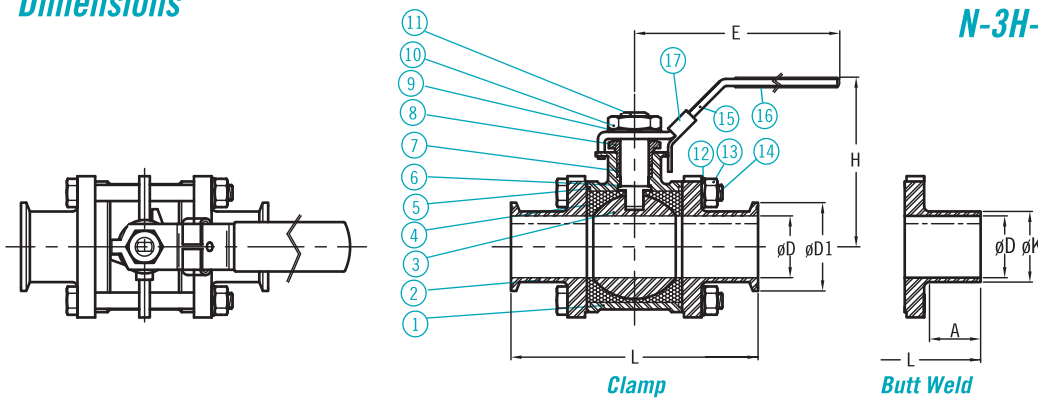
Working Temperature Limited: -20°F ~ 350°F (-5°C ~ 175°C)

Working Pressure Limited: 1000psi (70kg/cm²) for ½”~1”;
800psi (56kg/cm²) for 1½”~2”;
600psi (42kg/cm²) for 2½”~4”

Valves inspected and tested according to API 598 standard.



Dimensions



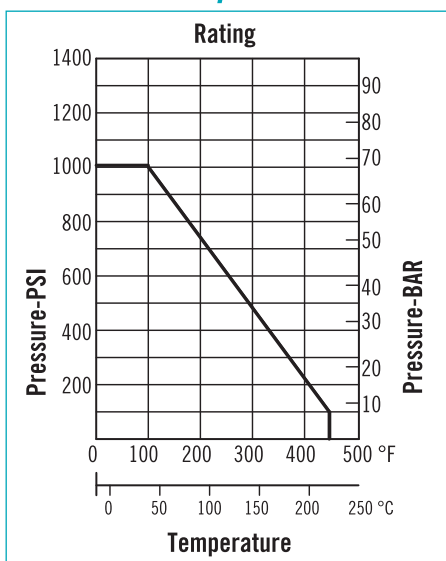
unit=mm

mm	Size inch	øD±0.5	øD1	øK	A	L±1.0	H±3.0	E±3.0	TURTEQ inch/Lbs
15	½	9.5	25.4	12.7	18	89	52	106	40
20	¾	15.9	25.4	19.1	21	101	55	106	64
25	1	22.2	50.4	25.4	25	114	70	135	130
40	1½	35.0	50.4	38.2	28	140	89	182	195
50	2	47.6	63.6	50.8	25	156	97	182	250
65	2½	60.2	77.5	63.4	35	197	140	263	400
80	3	73.0	90.8	76.2	43	229	152	263	600
100	4	97.4	118.5	101.6	37	241	184	263	1200

Parts List

Item	Parts Name	Material	Item	Parts Name	Material
1	Body	ASTM A351 CF8M / 316	10	Handle Nut	AISI 304
2	Cap	ASTM A351 CF8M / 316	11	Stem	AISI 316
3	Ball	ASTM A351 CF8M / 316	12	Bolt Washer	AISI 304
4	Seat	PTFE / TFM1600	13	Nut	AISI 304
5	Gasket	PTFE	14	Bolt	AISI 304
6	Thrust Washer	PTFE	15	Handle	AISI 304
7	Stem Packing	PTFE	16	Plastic Cover	Plastic
8	Gland Nut	AISI 304	17	Locking Device	AISI 304
9	Handle Washer	AISI 304			

Pressure–Temperature



Ordering Information

N-3H	Code	Model
	B	Butt Weld Ends
	C	T-Clamp
	Code	Body Material
	S	CF8M / SS316
	Code	Connection Size
		(A) ½” (B) ¾” (C) 1” (D) 1½”
		(E) 2” (F) 2½” (G) 3” (H) 4”
N-3H		Complete Ordering Code