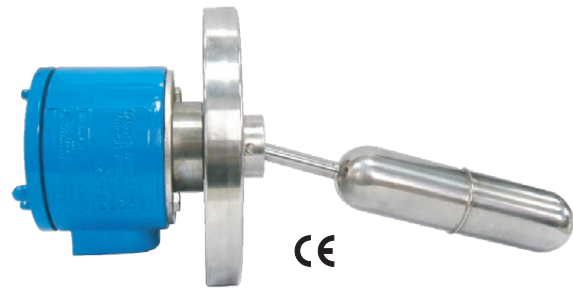


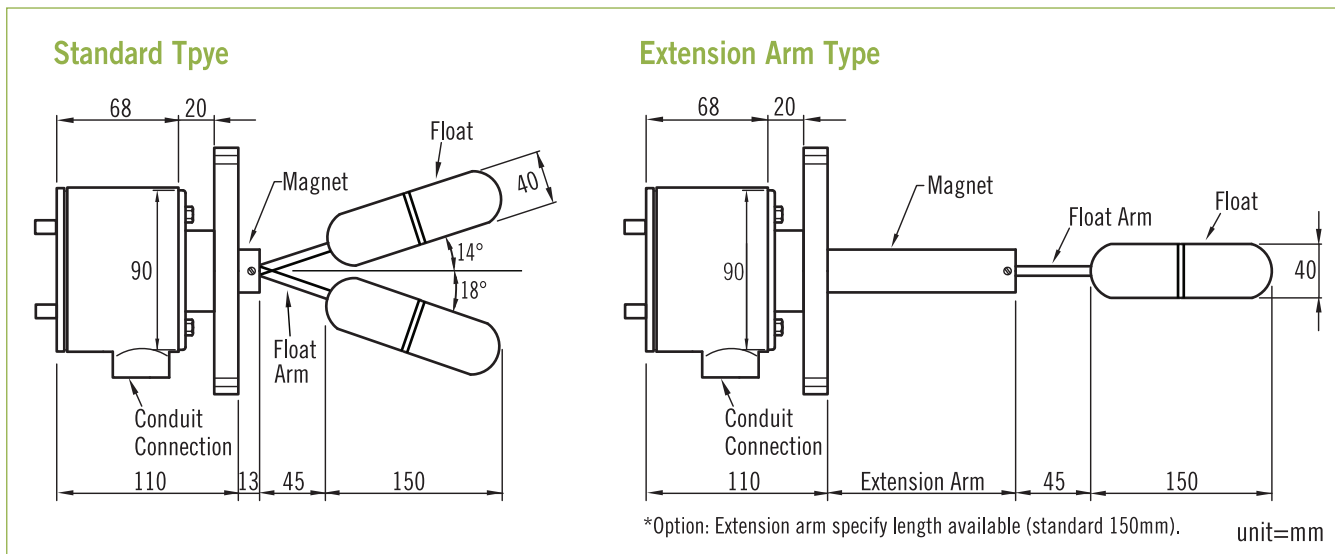
HORIZONTAL MAGNETIC LEVEL SWITCH EXPLOSION PROOF LXT204 Flange Type

Technical Data

Enclosure housing: Explosion proof- EEx d II C T6, IP65
Process connection: 1½"~4" Flange type
Flange rating: JIS, ANSI, DIN available
Material: Wetted parts 316 stainless steel
Pressure limits: 3.0 MPa (30 kg/cm²), option: up to 4.5 MPa
Float working specific gravity: ≥0.7
 (option: less than 0.7 available on request)
Temperature limits: -20°C to +150°C
Switch function: Micro switch 1 x SPDT; 2 x SPDT option
Switch rating: 3A/250VAC, 3A/30VDC, 0.4A/125VDC
Conduit connection: ½"NPT, ¾"NPT female, option available

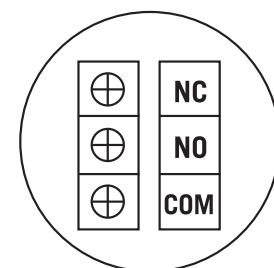


Dimensions



Ordering Information

LXT204	Code	Type			
	S	Standard type	E	Extension Arm Type	
		Code	Process Connection Size		
			(1) 1½" (2) 2" (3) 3" (4) 4" (5) option (please specify size)		
		Code	Process Connection Rating		
			(A) JIS10K (B) JIS20K (C)ANSI 150# (D)ANSI 300# (E)PN16 (F)PN25 (G)option		
		Code	Conduit Connection Size		
			(1) ½"NPT (2) ¾"NPT (3) Option		
		Code	Flange Material		
			(1) SS316 (2) SS304 (3) Option		
	Code	Switch Function- Micro Switch			
	1	One switch, SPDT x 1			
	2	Two switch, SPDT x 2			
LXT204				Complete Ordering Code	



Wire Drawing