

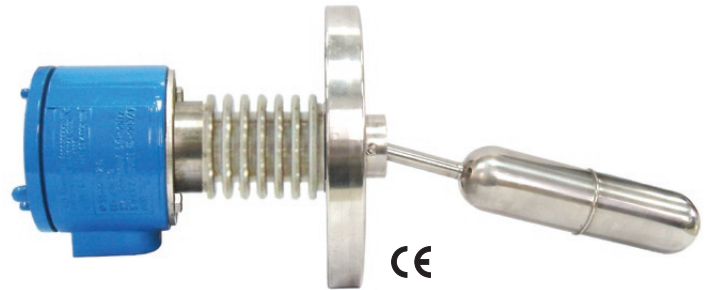
HORIZONTAL MAGNETIC LEVEL SWITCH

LXT203F Flange Type For High Temperature

LXT203F float-operated level switches are suitable for controlling liquid level at horizontal mounting. The float equipped with an extended arm moves a couple magnetic mechanism to actuate a microswitch to offer an ON-OFF contact for application. LXT203F is equipped with an extra fin to be able to work under high temperature environment.

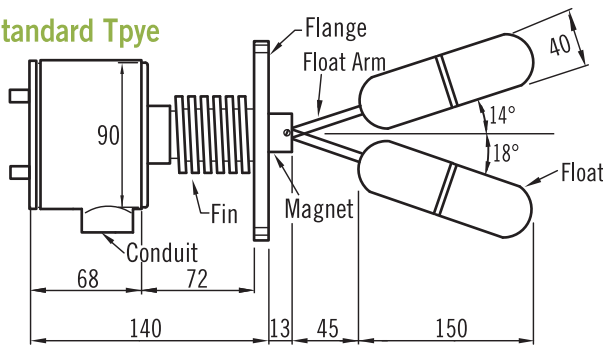
Technical Data

- Enclosure housing:** Explosion proof- EEx d II C T6, IP65
- Process connection:** 1½"~4" Flange type
- Flange rating:** JIS, ANSI, DIN available
- Material:** Wetted parts 316 stainless steel
- Temperature limits:** -20°C to +350°C
- Pressure limits:** 3.0 MPa (30 kg/cm²), option: up to 4.5 MPa
- Float working specific gravity:** ≥0.7 (option: less than 0.7 available on request)
- Switch function:** SPDT Micro switch
- Switch rating:** 3A/250VAC, 3A/30VDC, 0.4A/125VDC
- Conduit connection:** ½"NPT, ¾"NPT female, option available

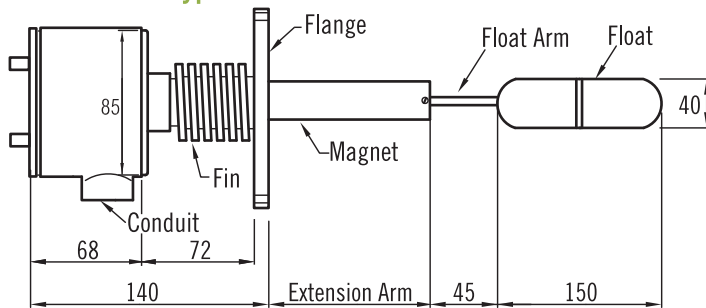


Dimensions

Standard Type

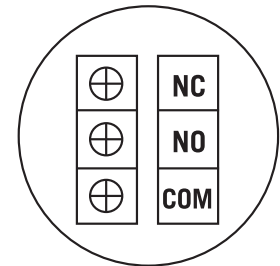


Extension Arm Type



*Option: Extension arm specify length available (standard 150mm).

unit=mm



Wire Drawing

Ordering Information

LXT203F	Code	Type		
	S	Standard type	E	Extension Arm Type
		Code	Process Connection Size	
			(1) 1½" (2) 2" (3) 3" (4) 4" (5) Option	
		Code	Process Connection Rating	
			(A) JIS10K (B) JIS20K (C) ANSI 150 (D) ANSI 300 (E) PN16 (F) PN25 (G) option	
		Code	Conduit Connection Size	
			(1) ½"NPT (2) ¾"NPT (3) Option	
		Code	Flange Material	
			(1) SS316 (2) SS304 (3) Option	
LXT203F				Complete Ordering Code