

# CABLE FLOAT LEVEL SWITCH

## LQ SERIES

### Technical Data

**High Corrosive Liquid Useable**

**Set Point adjustable (max. set point 7)**

**Multiple Level Set Point available**

**Float Enclosure Class: IP68**

**Material:** Housing– Aluminum alloy with paint, option available; Float– ABS plastic;  
Cable– PVC plastic; Flange– PVC, PP, option available; Weight– PVC

**Float Size:**  $\varnothing 80 \times 110\text{mm}$ L

**Housing Conduit Size:**  $\frac{3}{4}$ "NPT(F), option available

**Flange Size:** 4" (for LQ-01~LQ-05), 6" (for LQ-06~LQ-07), option available

**Cable Length:** Standard 6M; Option available (max. length 25M)

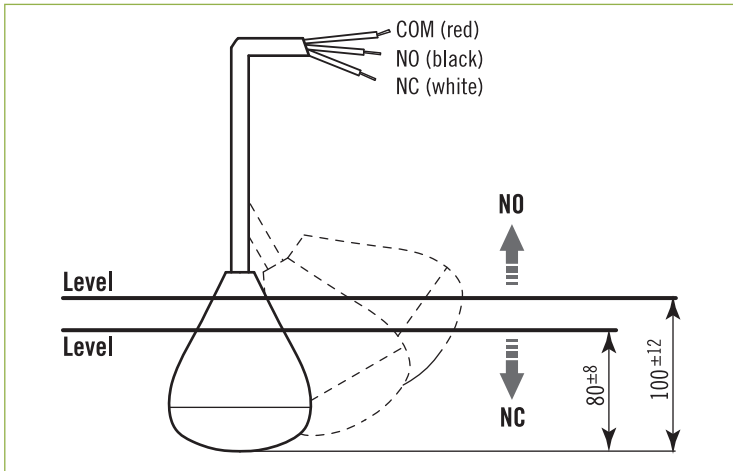
**Working Pressure Limited:** maximum 2.5 kg/cm<sup>2</sup>

**Working Temperature Limited:** -10°C ~ +50°C

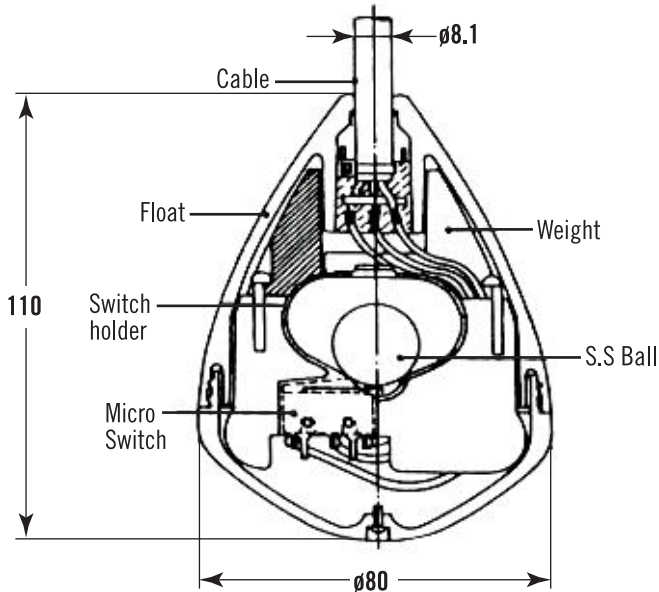
**Switch Mode:** SPDT mode

**Switch Rating:** 5A/125VAC, 3A/250VAC, 5A/8V & 14VDC, 4A/30VDC, 0.4A/125VDC

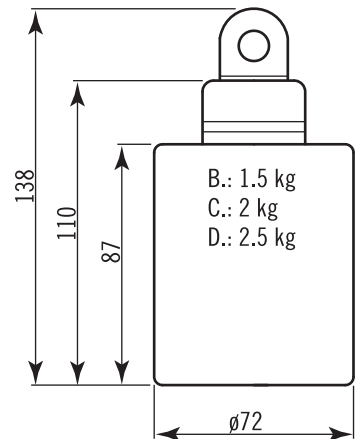
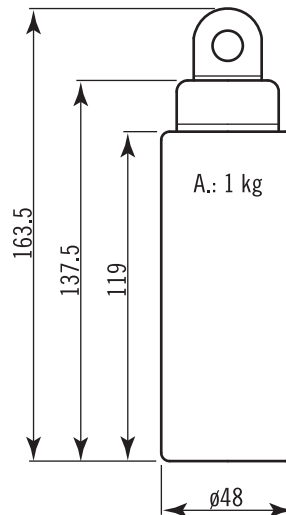
### Acting Gap in Fluid



### Dimensions for Float & Weight



**LQ Series Float**



**Weight**





