

# PADDLE WHEEL LIQUID FLOW METER

## HF100

### Technical Data

**Connecting size:** 3/8", 1/2", 3/4", 1" NPT female standard

**Power supply:** 3.8V to 30VDC

**Output:** Sink(NPN)

**Material:** Body-polypropylene  
 Cover-acrylic, PP, PTFE available  
 Rotor-PVDF  
 Shaft-ceramic  
 Bearings-ceramic

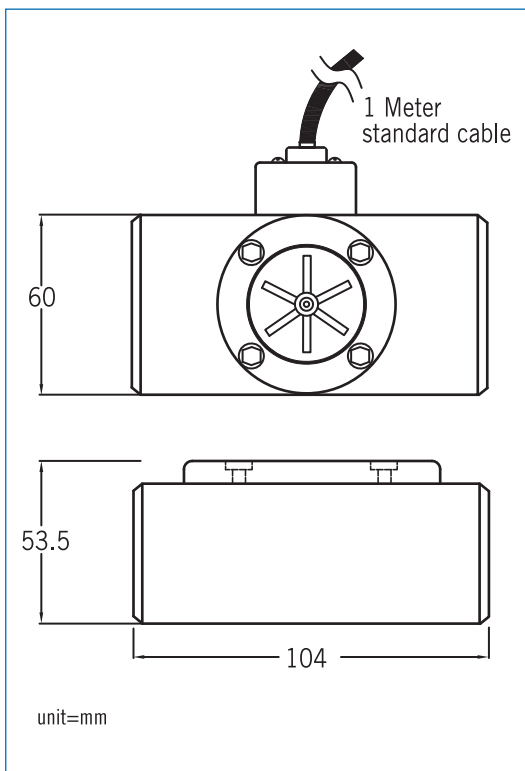
**O-ring:** Viton

**Max. temperature:** 70°C

**Max. pressure:** Polypropylene and PTFE-10kg/cm<sup>2</sup>  
 PVDF-15kg/cm<sup>2</sup>

**Accuracy:** ±2%F.S

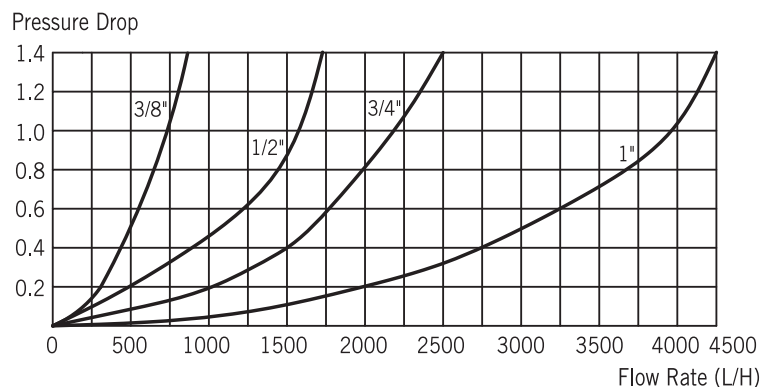
### Dimensions



### Range Table

Size	Flow Rates /LPH	Nominal Factors Per Liter
3/8"	20~800	398.32
1/2"	30~1400	205.32
3/4"	100~2100	150.32
1"	120~4200	61.02

### Pressure Drop: 3/8" ~ 1"



### Ordering Information

HF100	Code	Process connection size
		(1) 3/8" (2) 1/2" (3) 3/4" (4) 1"
		<b>Code</b> <b>Body material</b>
	A	Polypropylene
	B	PTFE
	C	PVDF
		<b>Code</b> <b>Cover Material</b>
		(1) Acrylic(standard) (2) P.P (3) PTFE (4) PVDF
HF100		Complete ordering code