

FLOW SWITCH FS40R

FS40RB—BRASS
FS40RS—STAINLESS STEEL

Easy Installation
For Small Pipe Application

Technical Data

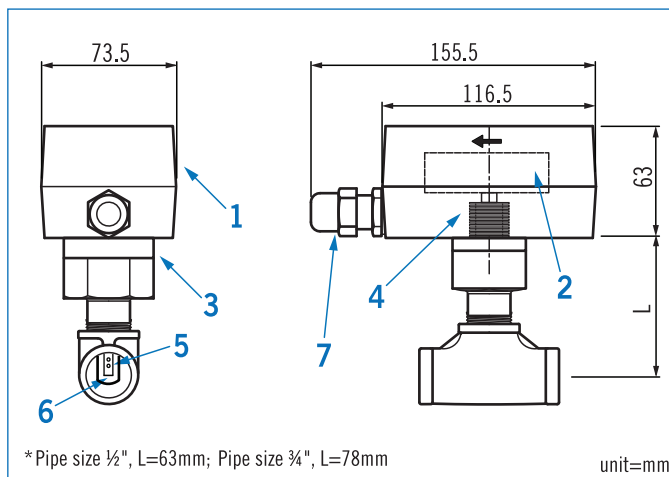
Protection class: IP65
 Process Connection: 1/2", 3/4" Female (Tee), NPT and PT available
 Material: Housing: Plastic (Other wetted part: brass or stainless steel)
 Application: Liquid
 Installation: Easily mounted directly on pipe line
 Microswitch: SPDT, 15A 125, 250V 480 VAC, 1/2A 125 VDC, 1/4A 250 VDC
 Conduit Connection: PG11, other thread available with adaptor
 Temperature Limit: -30~+120°C
 Pressure Limit: 20 kg/cm² — stainless steel; 10 kg/cm² — brass



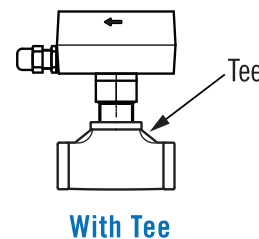
Flow Rate Table (For Acuate & Deactuate)

Flow Rates Required to Actuate, Deactuate Litter per Hour (L/H) Water at 25°C				
Pipe Size	Actuate (on)		Deactuate (OFF)	
	FS-40RB	FS-40RS	FS-40RB	FS-40RS
1/2"	590~600	610~630	370~390	390~410
3/4"	760~780	790~810	465~480	490~520

Dimensions



Installation Instruction



Ordering Information

FS40R	Code	Connection Material
	B	Brass
	S	SS316
		Code Process Connection
	1	1/2" NPT female
	2	1/2" PT female
	3	3/4" NPT female
	4	3/4" PT female
	0	option
FS40R		Complete ordering code

Material List

Item		FS-40RB	FS-40RS
1	Housing	plastic	plastic
2	Switch mechanism	Microswitch unit	Microswitch unit
3	Connection	brass	SS316
4	Bellows	brass	SS316
5	Paddle guide	brass	SS316
6	Paddle	SS301	SS301
7	Conduit	plastic	plastic