

Float Level Switch One Stage Series

EDW602 – Weather Proof Type

EDX602 – Explosion Proof Type

The NEW-FLOW float level switches are made to applications such as pump control, waste water level and open tank. They are designed for high corrosive resistance and long service life. 602-Series are one stage control and easy to install.

Technical Data

Wetted Parts Material: SS316, SS304 available

Housing Material: EDX- Aluminum alloy; EDW- SS316 or C.S with painting

The Suitable S.G.: ≥0.9 for max. length 1.2M; ≥0.8 for max. length 0.8M; ≥0.7~0.75 for less 0.5M

Enclosure Housing: EDW-Weather Proof: IP65; EDX- EEx d II C T6

Micro Switch Rating (SPDT & DPDT Type): 5A125VAC, 3A250VAC, 3A/30VDC, 0.4A/125VDC, 0.2A/250VDC

Max. Temperature: 200°C

Max. Pressure: 40 kg/cm² at 25°C

Float Size: ø80mm x 153mm length



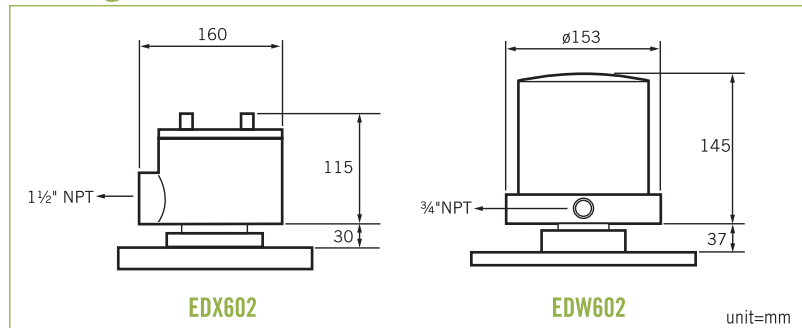
EDX602

EDW602

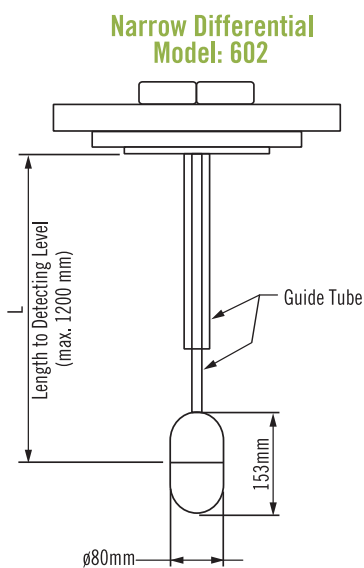
Switch Function

Dry Contact Micro-switch	1SPDT	
Hermetically Switch		
Dry Contact Micro-switch	(DPDT) 1SPDT X 2	
Hermetically Switch		

Housing



Control



Ordering Information

EDW / EDX	Code	Model
	602	Narrow differential
	Code	Housing Material
	A	Aluminum alloy (only for EDX) B SS316 C C.S with painting
	Code	Process Connection Size
		(1) 3" (2) Option
	Code	Process Connection Rating
		(A) JIS 10K (B) JIS 20K (C) ANSI 150# (D) ANSI 300# (E) PN16 (F) PN40 (G) Option
	Code	Conduit Size
	1	standard 1 1/2" NPT(F) with adaptor 3/4" NPT(F)
	Code	Switch Function
	A	Dry contact Microswitch SPDT
	B	Option
	C	Dry contact Microswitch SPDTx2 (DPDT)
	D	Option
	Code	Float and Guide Tube Material
		(1) SS316
	Code	Wetted Parts Material
		(A) SS316 (B) SS304
	Code	Sp. Gr.
		(A) 1 (B) Other Sp. Gr.
		Setting Point
		Please fill in the requested length L1=
		L1=