

DISPLACER LEVEL SWITCH 200 Two Stage Series

EDW200 – Weather Proof Type

EDX200 – Explosion Proof Type

The NEW-FLOW Displacer Level Switches are made to fit wide range applications such as pump control, waste water level and deep open tank. They are designed for high corrosive resistance and long service life. 200-Series are one stage control and easy to install.

Technical Data

Easy Installation

Wetted Parts Material: SS316, SS304 available

Housing Material: EDX- Aluminum alloy; EDW- SS316 or C.S with painting

The Suitable S.G.: ≥0.6

Enclosure Housing: EDW-Weather Proof: IP65;

EDX-Explosion Proof: Class I, Groups A,B,C,D; Class II, Groups E,F,G; NEMA 4X

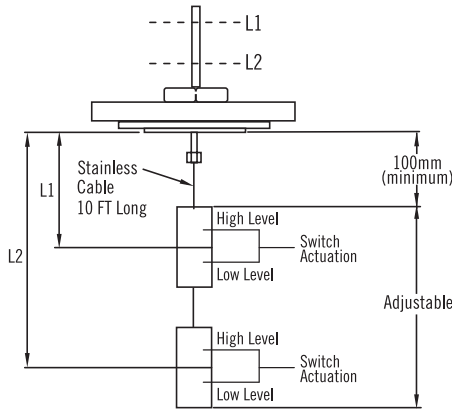
Micro Switch Rating (SPDT & 2SPDT Type): 5A/125VAC, 3A/250VAC, 3A/30VDC, 0.4A/125VDC, 0.2A/250VDC

Max. Temperature: 250°C

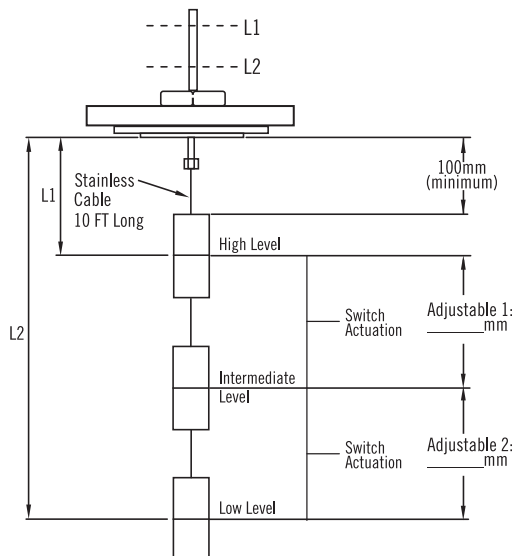
Float Size: ø60mm x 160mm length; other size available upon request

Control

Narrow Differential Model: 200



Wide Differential Model: 201



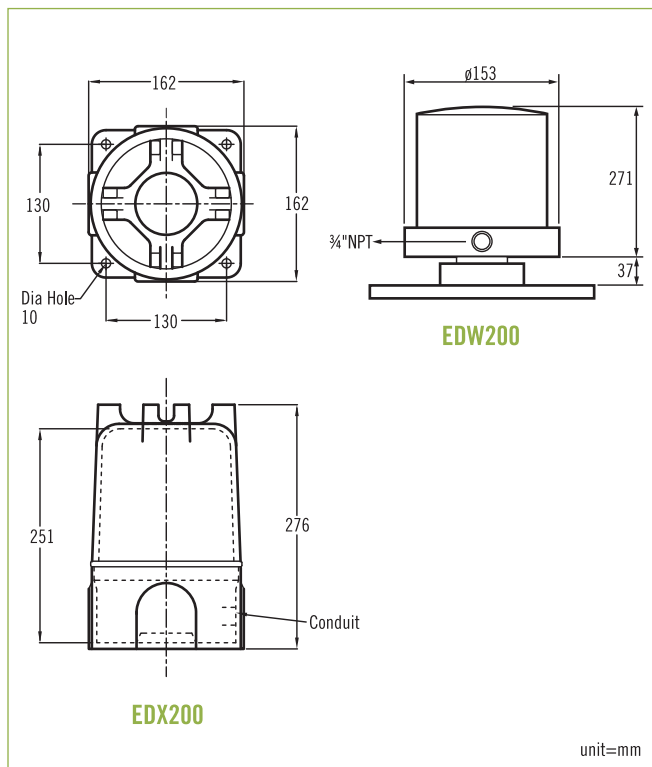
Note. Adjustable 1, 2: Please fill in request length.



Switch Function

Dry Contact Micro-switch	1SPDT X 2	
Option		
Dry Contact Micro-switch	2SPDT X 2	
Option		

Housing Dimensions



unit=mm

Ordering Information

EDW / EDX	Code	Model					
		200	Narrow differential	201	Wide differential		
		Code	Housing Material				
		A	Aluminum alloy (only for EDX)	B	SS316		
				C	C.S with painting		
		Code	Process Connection Size				
			(1) 2½" (2) 3" (3) Option				
		Code	Process Connection Rating				
			(A) JIS 10K (B) JIS 20K (C) ANSI 150# (D) ANSI 300# (E) PN16 (F) PN40 (G) Option				
		Code	Conduit Size				
		1	¾"NPT				
		Code	Switch Function				
		A	Dry contact Microswitch	1SPDT x 2			
		B	Option				
		C	Dry contact Microswitch	2SPDT x 2			
		D	Option				
		Code	Float Material				
			(1) SS316 (2) SS304				
		Code	Wetted Parts Material				
			(A) SS316 (B) SS304				
		Code	Sp. Gr.				
			(A) 1 (B) Other Sp. Gr.				
		Setting Point					
		Please fill in the requested length L1= L2=					
						L1= L2=	Complete Ordering Code

WWW.NEW-FLOW.COM • TEL: 886-7-8135500 • FAX: 886-7-8225588 • Email: info@new-flow.com

NEW