

LAP JOINT TYPE DIAPHRAGM SEAL

DT121

DT121 diaphragm seal is designed to be used in highly viscous process media such as pulp, paper, waste treatment, and plastic/chemical process industries. DT121 is easy to assemble with pressure gauges, pressure switches, and pressure instruments.

Technical Data

Instrument connection: female thread 1/2" BSP or NPT

Membrane size: Ø45

Process connection: as drawing

Temperature limited: -40~+150°C cooling element or capillary line up to 350°C

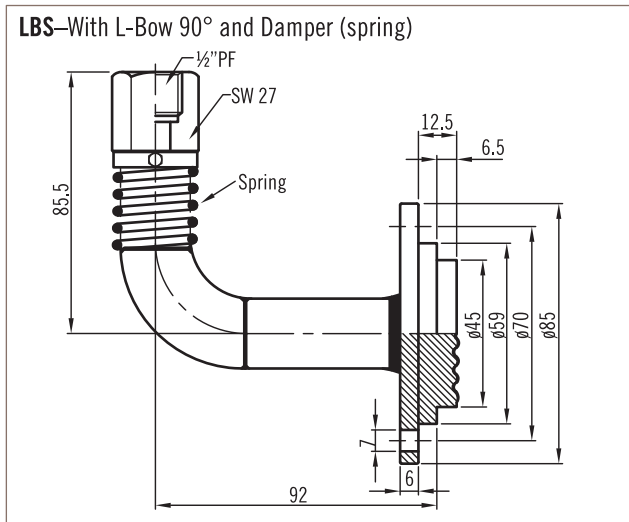
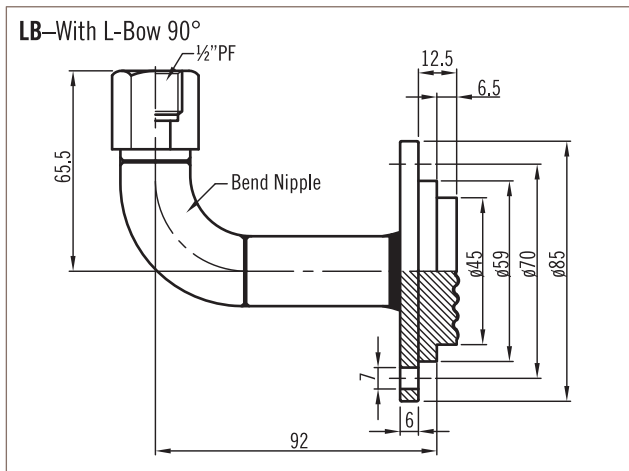
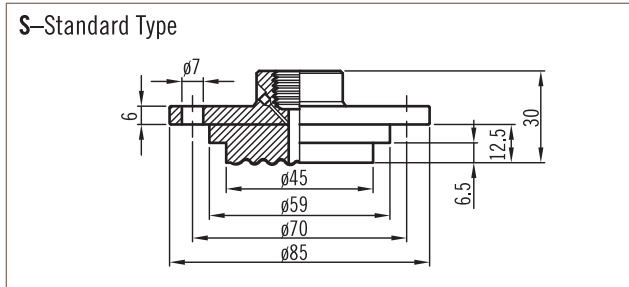
Pressure range limited:

Ø45 Membrane: Maximum up to 40 kg/cm²
Minimum -1~5 kg/cm², 0~6 kg/cm²

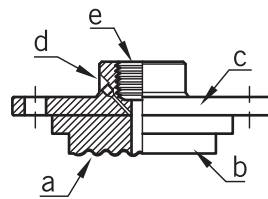
Housing material: SS316 (standard); others on request

Membrane: SS316L (standard); Options-Hastelloy C276, Tantalum, and others on request.

Dimensions-mm



Parts List



Item	Description of Parts
a	Membrane
b	Insert Body
c	Rotating Flange
d	Filling Port
e	Instrument Connection

Ordering Information

DT121	Code	Type
	S	Standard type
	LB	With L-Blow 90° type
	LBS	With L-Blow 90° and damper (spring)
	Code	Instrument Connection (Female)
	(A)	1/2" BSP (B) 1/2" NPT
	Code	Membrane Size
	(A)	Ø45
	Code	Housing Material
	(S)	SS316 (standard)
	(O)	Option
	Code	Membrane Material
	(1)	SS316L
	(2)	Hastelloy C276
	(3)	Tantalum
	(4)	Option