

# PLASTIC THREAD TYPE DIAPHRAGM SEAL

## DT114

### Application

DT114 diaphragm seal is made with material including, special plastic to provide to against the acid fluid for application in customers device. Its easy to assemble with pressure gauges, pressure switches and pressure transducers.

### Technical Data

**Instrument connection:** Female thread ¼" to ½" BSP or NPT

**Membrane size:** Ø55, Ø75

**Process connection:** ¼" to ½" BSP or NPT

**Measurement range:** -760mmHg ~ 0 ~ 10 kg/cm<sup>2</sup> (Ø75 Membrane)  
0 ~ 25 kg/cm<sup>2</sup> (Ø55 Membrane)

**Max. temperature:** Up to 120°C

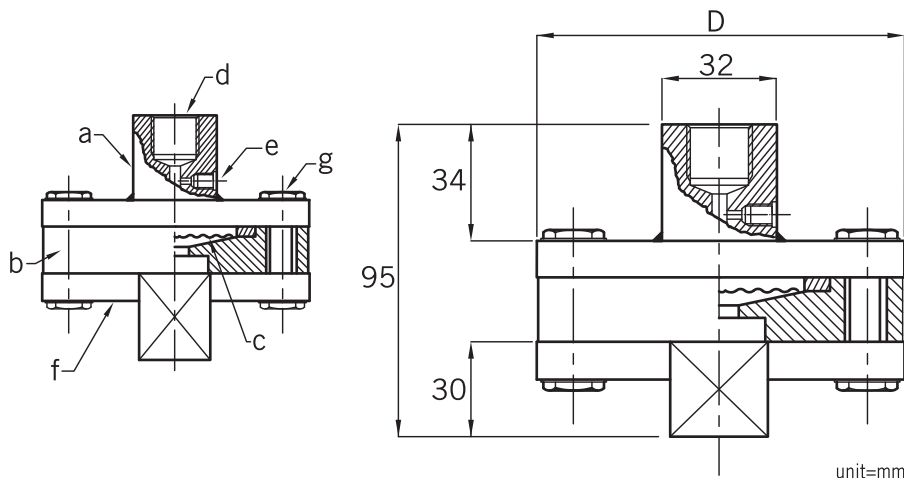
**Material:** Upper housing - SS316 (standard); Low housing - P.V.C, P.P, PVDF, Teflon available

**Membrane material:** SS316L+Teflon lining (standard); Options - Hastelloy C276, Tittanium, Tantalum and others on request.



### Dimensions

Item	Description of Parts
a	Upper housing
b	Low housing
c	Membrane
d	Instrument connection
e	Filling port
f	Supporting ring
g	Screw bolt



Membrane size	
Ø	55 75
D	80 100

### Ordering Information

DT114	Code	Instrument Connection Size (Female)
		(A) ¼"BSP (B) ¼"NPT (C) ⅜"BSP (D) ⅜"NPT (E) ½"BSP (F) ½"NPT
		<b>Code</b> <b>Membrane Size</b>
		(1) ø55 (2) ø75
		<b>Code</b> <b>Process Connection Size</b>
		(A) ¼" (B) ⅜" (C) ½"
		<b>Code</b> <b>Process Connection Thread</b>
		(A) NPT (male) (B) NPT (female) (C) PF (male) (D) PF (female)
		<b>Code</b> <b>Upper Housing Material</b>
		(S) SS316 (O) option
		<b>Code</b> <b>Lower Housing Material</b>
		(V) PVC (P) P.P (T) Teflon (PV) PVDF
		<b>Code</b> <b>Membrane Material</b>
		(H) Hastelloy C (Ti) Titanium (Ta) Tantalum (Tf) SS316+Teflon lining (O) option
DT114		Complete ordering code