

# THREAD TYPE DIAPHRAGM SEAL

DT111

DT-101 diaphragm seal is designed to be used in highly viscous process media such as pulp, paper, waste water treatment and plastics and chemical process industries. It is easy to assemble with pressure gauges, pressure switches, and pressure instruments.

## Technical Data

**Instrument connection:** female thread ¼" to ½" BSP or NPT

**Process connection:** ¼" to ½" Thread BSP or NPT

**Temperature limited:** -40~+150°C , cooling element or capillary line up to 350°C

**Pressure range limited:** Maximum up to 60 kg/cm<sup>2</sup>  
Minimum 0~10 kg/cm<sup>2</sup>, option 0~250 kg/cm<sup>2</sup>

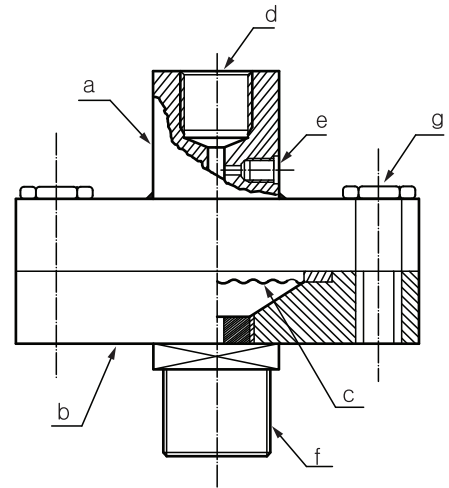
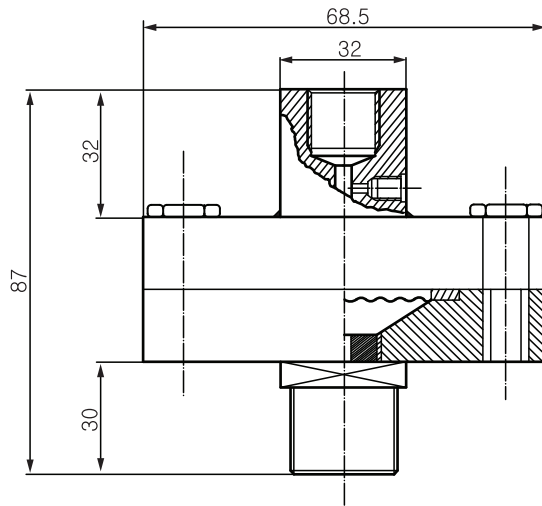
**Material:** upper & lower housing-SS316 (standard), others on request

**Membrane:** SS316L (standard); Options- Hastelloy C276, tantalum and others on request.



## Dimensions

Item	Description of Parts
a	Upper housing
b	Lower housing
c	Membrane
d	Instrument connection
e	Filling port
f	Process connection
g	Bolt



unit=mm

**NOTE**  
Performance Technical Data are effective with date of issue and are subject to change without prior notice.

## Ordering Information

DT111	Code	Instrument Connection (Female)
		(A) ¼"BSP (B) ¼"NPT (C) ¾"BSP (D) ¾"NPT (E) ½"BSP (F) ½"NPT
		<b>Code</b> <b>Process connection (Male)</b>
		(1) ¼" BSP (2) ¼" NPT (3) ¾"BSP (4) ¾"NPT (5) ½"BSP (6) ½"NPT (7) Option
		<b>Code</b> <b>Upper housing material</b>
		(S) SS316(standard) (O) Option
		<b>Code</b> <b>Lower housing material</b>
		(S) SS316(standard) (O) Option
		<b>Code</b> <b>Membrane material</b>
		(1) SS316L (2) Hastelloy C276 (3) Tantalum (4) Option
DT111		Complete ordering code