

BI-METAL THERMOMETERS

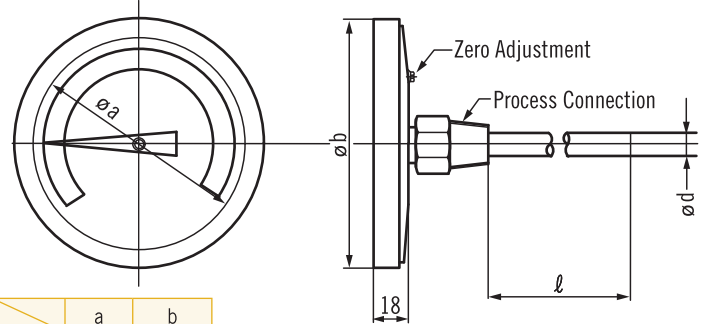
AY/AI/AY-QS SERIES

Technical Data

Material of case & cover: SS304, SS316 available
Material of stem: 316 stainless steel
Lens: Glass, safety glass available
Housing enclosure: IP65, liquid filled available
Dial size: Ø3", 4", 5" available
Type: AY / AI / AY-QS available
Range limit: -50 to 600°C
Stem dimensions: Ø4, 6, 8, 10 mm available
Stem length limit: 65~1000 mm
External zero adjustable
Accuracy: ±1% (FS)
Process connection: 1/2" NPT standard, others available
Over range protection: 130% FS

Dimensions

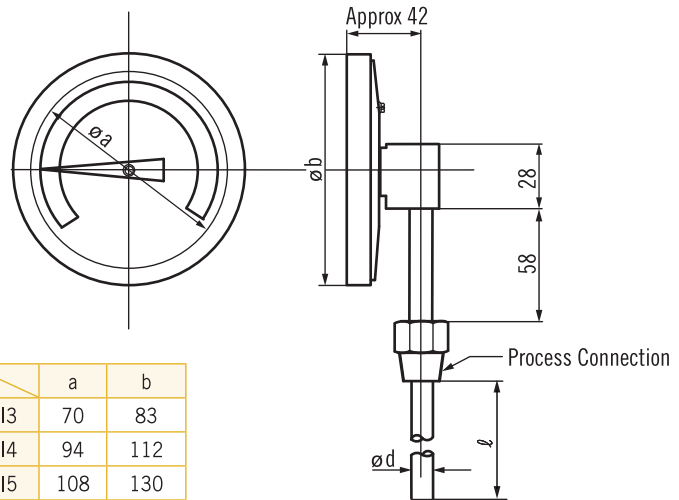
	AY3 (Ø75)	AY4 (Ø100)	AY5 (Ø125)	Back connection
--	--------------	---------------	---------------	-----------------



	a	b
AY3	70	83
AY4	94	112
AY5	108	130

*Øb, l refer to the range and insertion table

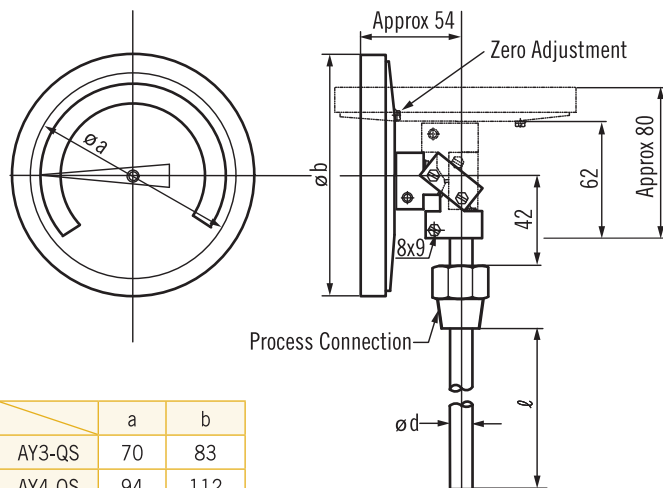
	AI3 (Ø75)	AI4 (Ø100)	AI5 (Ø125)	Bottom connection
--	--------------	---------------	---------------	-------------------



	a	b
AI3	70	83
AI4	94	112
AI5	108	130

*Øb, l refer to the range and insertion table

	AY3-QS (Ø75)	AY4-QS (Ø100)	AY5-QS (Ø125)	Every angle connection
--	-----------------	------------------	------------------	------------------------



	a	b
AY3-QS	70	83
AY4-QS	94	112
AY5-QS	108	130

*Øb, l refer to the range and insertion table



AY SERIES

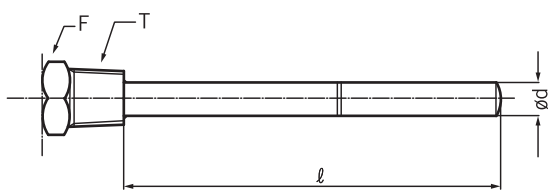


AI SERIES

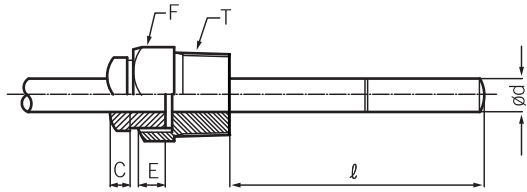


AY-QS SERIES

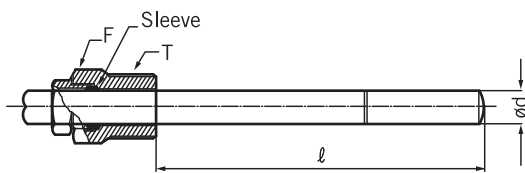
Connection Type



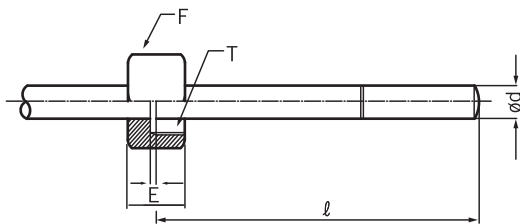
(A) Fixed Thread Type



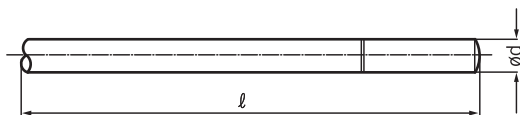
(B) Rotary Thread Type



(C) Slide Thread Type
(Length "l" changed available.)



(D) Female Thread Type
(Rotation Style)



(E) Non Thread Type

T: Process connection
E: Stop plate for (rotary & rotation style)
F: Hexagonal head
l: Sensor length
d: Sensor dimension

Table For Range And Insertion

Standard Scale Range (°C)	Minor Division (°C)			Minimum Insertion Length (mm)			
	ø75	ø100	ø125	Outer Diameter of Stem			
				ø4	ø6	ø8	ø10
-50~50	1	1	1	80	65	60	55
-30~50	1	1	1	80	65	60	55
-20~60	1	1	1	80	65	60	55
-10~50	1	1	1	95	80	75	70
-10~110	2	2	2	80	65	60	55
0~50(60)	1	1	1	105	95	85	80
0~80	1	1	1	80	65	60	55
0~100	1	1	1	80	65	60	55
0~120	2	2	2	80	65	60	55
0~150	2	2	2	80	65	60	55
0~200	2	2	2	80	65	60	55
0~250	5	5	5	95	80	75	70
0~300	5	5	5	85	70	65	60
0~400	5	5	5	-	65	60	55
0~500	10	10	10	-	65	60	55
0~600	10	10	10	-	65	60	55

OPTION.

1. Please note the minimum insertion length is not including the thread.
2. Special Range / Scale / Stem Diameter / Length are available upon request.

Ordering Information

Code	Model						
	AY3, AY4, AY5	AI3, AI4, AI5	AY3-QS, AY4-QS, AY5-QS				
Code	Case & Cover Material						
	(1) SS304 (2) SS316						
Code	Lens Material						
G	Glass	S	Safety Glass				
Code	Connection Type						
A	Fixed Thread Type	C	Slide Thread Type	E	Non Thread Type		
B	Rotary Thread Type	D	Female Thread Type	O	Option		
Code	Stem Diameter						
	(1) Ø4 (2) Ø6 (3) Ø8 (4) Ø10						
Code	Stem Length						
	Please refer to the Table for Range and Insertion. Fill in the requested length (mm).						
Code	Process Connection						
	(A) 1/4"NPT (B) 3/8"NPT (C) 1/2"NPT						
	(D) 1/4"PF (E) 3/8"PF (F) 1/2"PF (O) Option						
	(O) Option						
Code	Scale Range						
	Refer to Scale Range Table. Fill in the requested range.						
							Complete Ordering Code

Ordering code example:

Model	Case & Cover Material	Lens Material	Connection Type	Stem Diameter	Stem Length	Process Connection	Scale Range
AY4-QS	1	G	A	2	100mm	B	0-100°C